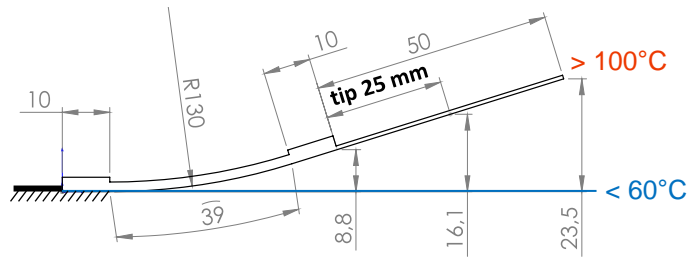


# Datasheet Actuator: *Curve*® unplugged A3920E24

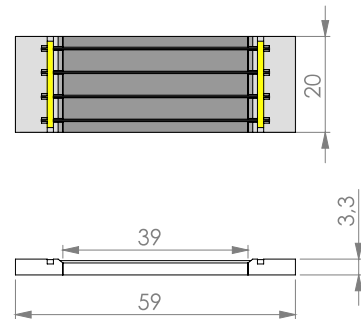
- Active length: **39 mm**
- Module size: **59 mm x 20 mm x 3.3 mm**
- Bending: **low (E24)**
- Weight: **4.3 g + hosting structure**
- Hosting structure: **steel + rivets, tip 25 mm**  
size 94 x 20 x 0.50 mm<sup>3</sup>
- Load range with high cycling stability (> 300.000)
  - at module edge: **820 g**
  - at 25 mm: **540 g**
  - at 50 mm: **400 g**

- Operating mode: ***unplugged***
- Thermal activation by: **external heating**
- Possible external heating: **convection, radiation, conduction**
- Maximum temperature: **130°C (permanent)**  
**>150°C (short-term)**

## Actuator A3920E24



## M3920E24 – Actuator Module only



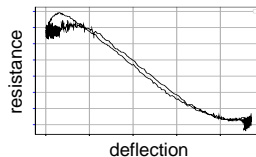
© CompActive GmbH

All values are only estimations!

## Customized, high-performance actuators by ...

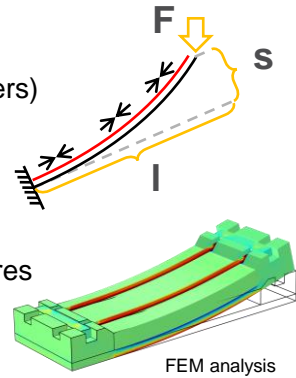
### ... high-tech solutions

- reliable load transfer
- proven cycle stability
- injection molded frame elements
- special SMA material specifications
- high temperature FRP
- self-sensing capability



### ... individual design

- substrate (metals, polymers)
- size
- deflection
- load / cycles
- wire material / temperatures
- electrical resistance



### ... customized mechanical fixation

- adhesive films
- liquid adhesives
- bolts, rivets, screws
- plug-on

### ... various electrical connection

- crimping
- soldering
- plugging in
- welding



© CompActive GmbH